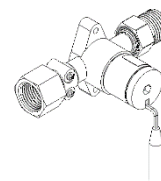


# Nylon Solenoid Valve 6V DC with 15mm BSP Lead Safe BS Adaptors & 6mm Dia 2 Pin Plug

## PRODUCT CODES

- 170.92.41.20



## SPECIFICATIONS

- Lead Safe™ brass connectors construction\*

**IMPORTANT:** All Lead Safe solenoids are tested in accordance with AS/NZS 3718 and leave our premises in good working order.

\*As 'lead free' is not currently defined by law in Australia and New Zealand, we have based our definition of Lead Safe™ on the requirements of s1417 of the USA's Safe Drinking Water Act (SDWA) and the relevant US standards NSF61 / NSF372. The SDWA defines 'lead free' as "not more than a weighted average of 0.25% lead when used with respect to the wetted surface of pipes, pipe fittings, plumbing fittings and fixtures".

## TECHNICAL DATA

Inlet	1/2" BSP – Female	
Outlet	1/2" BSP – Male	
Headwork	Solenoid	
Working Pressure Range (kPa)	Min	50
	Max	500
Working Temperature Range (°C)	Min	5
	Max	80
Construction	Lead Safe Brass/Nylon	
Finish	6V DC	

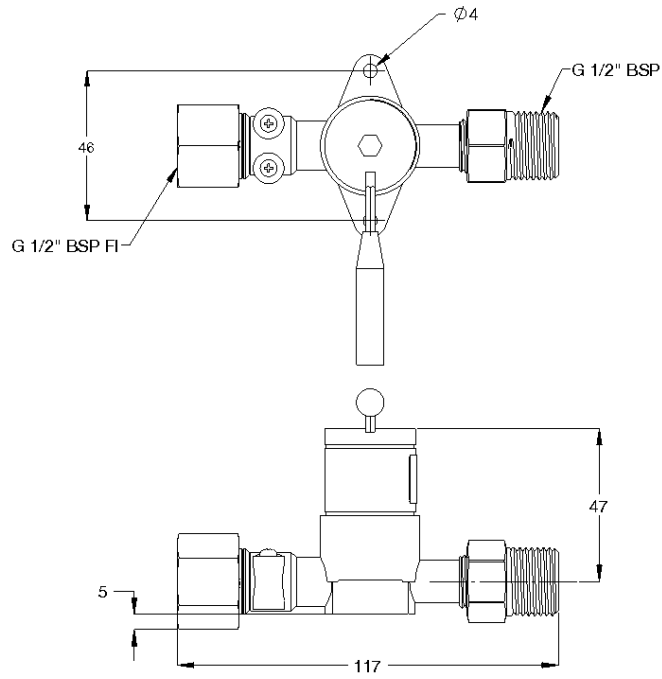
**NOTE:** Galvin Engineering continually strive to improve their products. Specifications may change without notice.

## TOOLS REQUIRED

- Thread tape
- Adjustable spanner

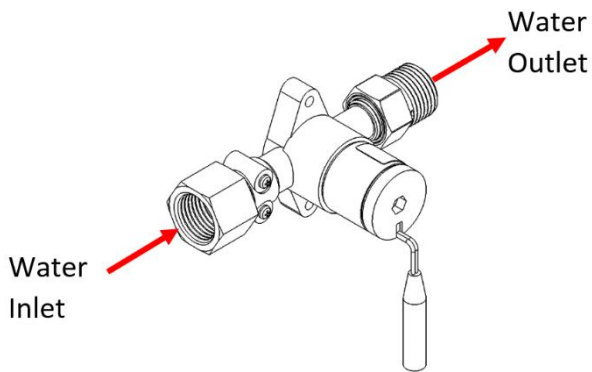
**DIMENSIONS**

**Note:** Before installation, all lines must be flushed. We recommend that a line strainer be installed prior to the solenoid to eliminate any foreign material.



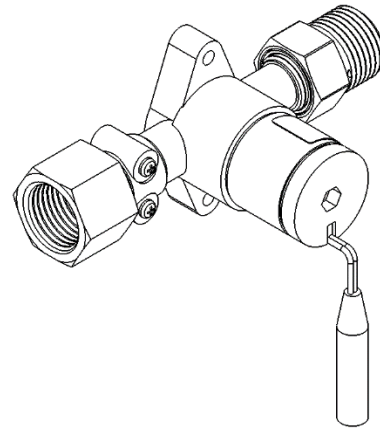
**INSTALLATION**

**INSTALLATION COMPLIANCE:** Galvin Engineering products must be installed in accordance with these installation instructions and in accordance with AS/NZS 3500, the PCA and your local regulatory requirements. Water and/or electrical supply conditions must also comply to the applicable national and/or state standards. Failing to comply with these provisions shall void the product warranty and may affect the performance of the product.



**1. Connect**

- Connect solenoid as shown.
- Use thread tape for water connections.



**2. Test**

- Once the solenoid has been installed, turn on water and check for correct operation

**TROUBLESHOOTING**

PROBLEM	CAUSE	RECTIFICATION
Water is not flowing	Water is turned off	Turn on water
Inconsistent flow	Blocked assembly or flow regulator.	Disassemble unit and clean.
		Replece solenoid.

## WARRANTY

The warranty set forth herein is given expressly and is the only warranty given by the Galvin Engineering Pty Ltd. With respect to the product, Galvin Engineering Pty Ltd makes no other warranties, express or implied. Galvin Engineering Pty. Ltd. hereby specifically disclaims all other warranties, express or implied, including but not limited to the implied warranties of merchantability and fitness for a particular purpose.

Galvin Engineering Pty Ltd products are covered under our manufacturer's warranty available for download from [www.galvinengineering.com.au](http://www.galvinengineering.com.au) Galvin Engineering Pty Ltd expressly warrants that the product is free from operational defects in workmanship and materials for the warranty period as shown on the schedule in the manufacturer's warranty. During the warranty period, Galvin Engineering will replace or repair any defective products manufactured by Galvin Engineering without charge, so long as the terms of the Manufacturer's warranty are complied with.

The remedy described in the first paragraph of this warranty shall constitute the sole and exclusive remedy for breach of warranty, and Galvin Engineering Pty Ltd shall not be responsible for any incidental, special or consequential damages, including without limitation, lost profits or the cost of repairing or replacing other property which is damaged if this product does not work properly, other costs resulting from labour charges, delays, vandalism, negligence, fouling caused by foreign material, damage from adverse water conditions, chemical, electrical or any other circumstances over which Galvin Engineering has no control. This warranty shall be invalidated by any abuse, misuse, misapplication, improper installation or improper maintenance or alteration of the product.

Within Australia: 1300 514 074 Outside Australia: P: +61 (0)8 9338 2344

F: +61 (0)8 9338 2340

[sales@galvinengineering.com.au](mailto:sales@galvinengineering.com.au)

[www.galvinengineering.com.au](http://www.galvinengineering.com.au)

ABN: 78 008 719 382

PERTH | SYDNEY | MELBOURNE | BRISBANE | ADELAIDE

